

M LEVELO



LEVELO

ASPEN 3 In 1 Wireless Car Charger

SKU: LVLS31CCGY

Table of Contents

Features	2
Tips	2
Installation	3
Indicator Light	4
Specifications	4
Charging Troubleshooting	5
Attention	5
Warranty	6
Contact Us	6

Before installing and using the product, please carefully read this User Manual to guarantee correct usage and keep it secure for future reference.

Features

1. Charge your Apple MagSafe mobile phone, Apple Watch, and AirPods simultaneously with this foldable and portable 3-in-1 wireless charger.
2. Bid farewell to tangled wires and embrace convenience with this luxurious cloth-wrapped 3-in-1 wireless charger.
3. Keep your Apple devices fully charged on the go with this compact and versatile 3-in-1 wireless charger.
4. Features adjustable folding angles for versatile positioning.
5. Designed for mobility, this charger is both portable and foldable.

Tips

For optimal performance, use with a PD (Power Delivery) or QC 3.0 (Quick Charge) adapter. This charger supports a 5W output when used with a standard 5V2A adapter.

Note: The PD/QC 3.0 adapter is sold separately. This ensures compatibility with the fastest charging speeds available.



Installation

This wireless charger is designed for easy assembly and flexible adjustment, ensuring a secure fit and optimal charging angles for your device.

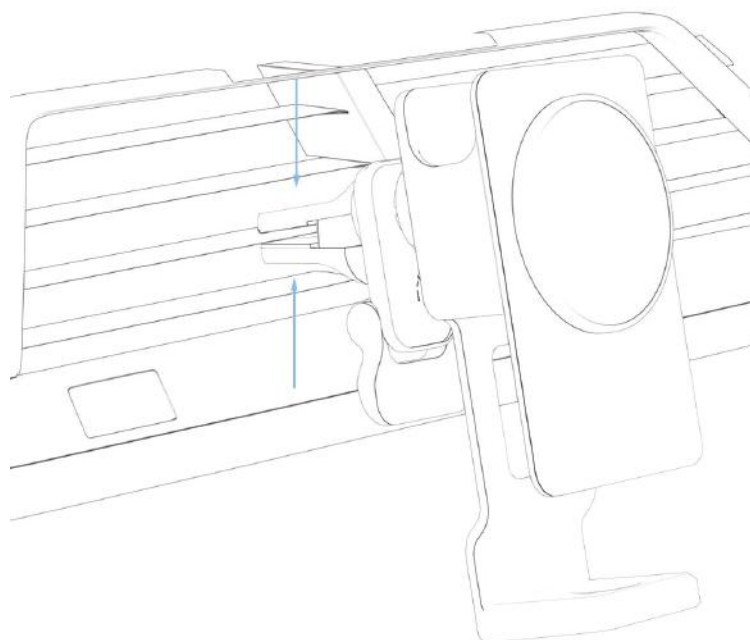
1. Follow the arrows to correctly assemble the three parts in sequence — attach part 1 to part 2, and then attach the combined pieces to part 3.



2. Rotate the screw cap to achieve the best possible stability and position.



3. Press the clip's button to secure the charger to the vent. Once in place, adjust the angle and tighten the fixing nut to ensure the device remains stable during use.



Indicator Light

The headphone charging indicator is located in the center of the magnetic surface on the product. When the headphones are charging, the LED indicator will remain steadily lit.

Specifications

Input	DC 5V/2A, 9V/2A, 12V/2A
Phone Output	7.5W/10W/15W
Mounting Type	AC Vent and Suction
Efficiency	70 %
Working Frequency	110.5KHz-205KHz
Certificate	CE, FCC, RoHS

Charging Troubleshooting

Several factors may result in slow charging, cessation of charging, or overheating:

- 1. Inadequate Adapter:** Ensure the adapter meets the required standards. Avoid using PC USB outputs as they may not provide sufficient power.
- 2. Non-Standard Charging Cable:** Use a cable that complies with the required specifications for optimal performance.
- 3. Thick Phone Case:** For efficient charging, use a phone case that is no more than 2mm thick. Thicker cases may hinder the charging process.
- 4. Presence of Metal:** Avoid using a cell phone or phone case with metal on the back, as it can interfere with wireless charging.
- 5. Compatibility:** Ensure your smartphone supports the wireless charging function.

Attention

- 1.** Always ensure that the cable is fully inserted into the power adapter before connecting it to a power outlet.
- 2.** Operate the device within a temperature range of -20°C to 45°C .
- 3.** Avoid using the product in high-temperature, humid environments. Keep away from fire and liquids to prevent damage and ensure safe operation.
- 4.** Do not place metal objects, such as keys, coins, batteries, chip cards, or jewelry, on the charging pad while in use to prevent damage.
- 5.** Ensure the charger is disconnected from the power supply before cleaning.
- 6.** Do not disassemble this product without authorization. Unauthorized disassembly could void your warranty and may pose safety risks.

Warranty

Products procured directly from the **Levelo** website or physical store comes with a 24-month warranty. **Levelo** products purchased from any of our authorized dealers are guaranteed with a one-year warranty. If you wish to extend this warranty, you'll need to go to our website at **<https://levelobrand.com/warranty>** and fill out the necessary form, making sure to include your personal information and a photo of the product. After your request has been evaluated and accepted, we'll send you an email notification to affirm the extension of your product's warranty.

For more info, please check:

Website: **<https://www.levelobrand.com/warranty>**

Contact Us

If you have any questions about this Privacy Policy, please contact us at: **Info@levelobrand.com**

Website: **<https://www.levelobrand.com/>**

Email: **Info@levelobrand.com**

Instagram: **levelobrand**

Facebook: **levelobrand**