

**M** LEVEL



**Levelo**

**Skystick Universal & iPad Stylus Pen**

SKU: LVLSUSPWH

# **Table of Contents**

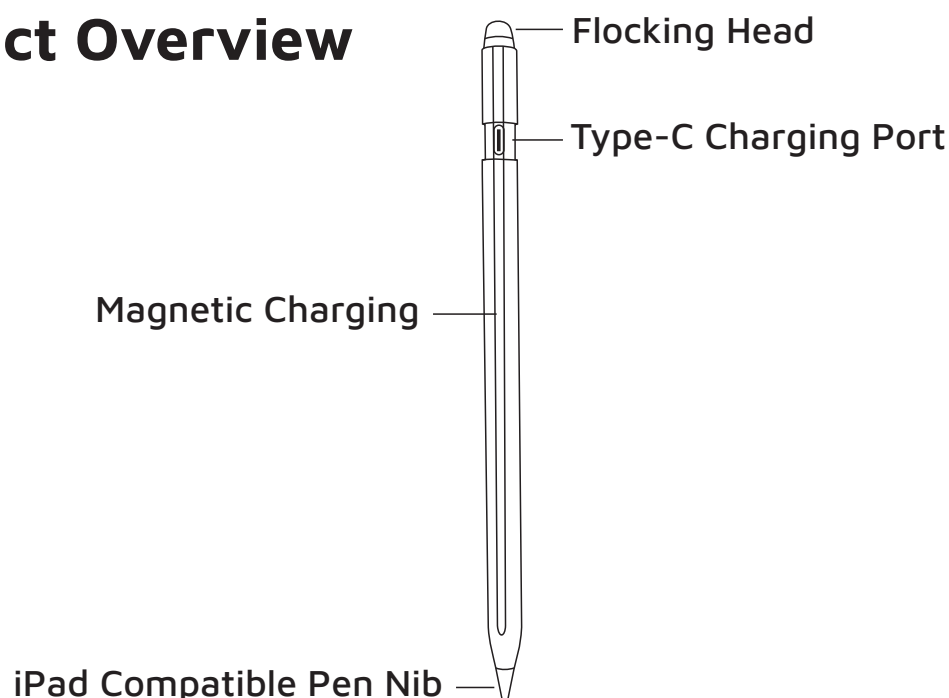
|                                   |          |
|-----------------------------------|----------|
| <b>Features</b>                   | <b>2</b> |
| <b>Product Overview</b>           | <b>2</b> |
| <b>Dimensions</b>                 | <b>3</b> |
| <b>Usage Instructions</b>         | <b>3</b> |
| <b>A. Powering the Device</b>     | <b>3</b> |
| <b>B. Battery Level Indicator</b> | <b>4</b> |
| <b>Bluetooth Connection</b>       | <b>4</b> |
| <b>Changing the Nib</b>           | <b>4</b> |
| <b>Nano Conductive Head</b>       | <b>5</b> |
| <b>Compatibility</b>              | <b>5</b> |
| <b>Specifications</b>             | <b>6</b> |
| <b>Warranty</b>                   | <b>7</b> |
| <b>Contact Us</b>                 | <b>7</b> |

Before installing and using the product, please carefully read this User Manual to guarantee correct usage and keep it secure for future reference.

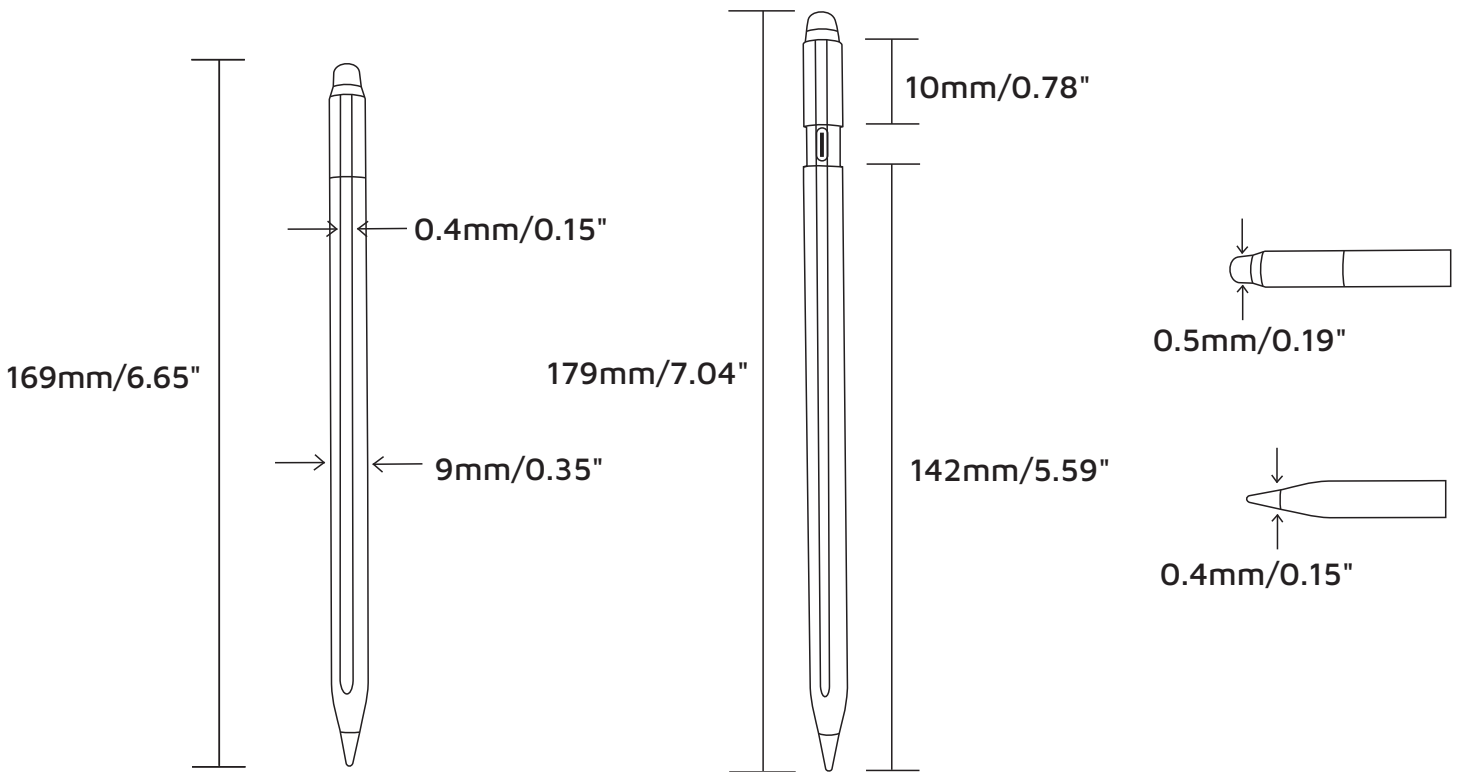
## Features

1. Features a high-sensitivity flocking tip, ideal for tablets and electronic whiteboards, ensuring smooth and scratch-free operation.
2. This pen remains operational and ready for up to six months without requiring a recharge or battery replacement during periods of inactivity.
3. These nibs can be effortlessly removed and replaced, allowing you to switch styles without needing to replace the entire pen.
4. Includes two additional replacement nibs for extended usability.
5. The pen is capable of operating continuously for eight hours on a full charge before it necessitates recharging.
6. Constructed from high-quality aluminum alloy, this tube is designed to withstand impacts and resist scratches, outperforming softer materials.
7. Engages a low-power sleep mode automatically if the pen has not been used for 30 minutes.
8. Effectively prevents unintended marks or commands by discriminating against accidental palm contacts, focusing solely on the precise, pinpoint interactions with the pen.

## Product Overview



## Dimensions

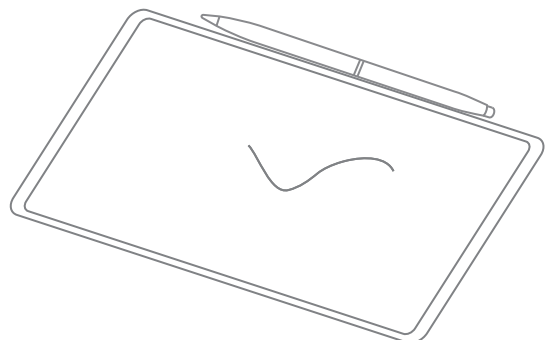


## Usage Instructions

### A. Powering the Device

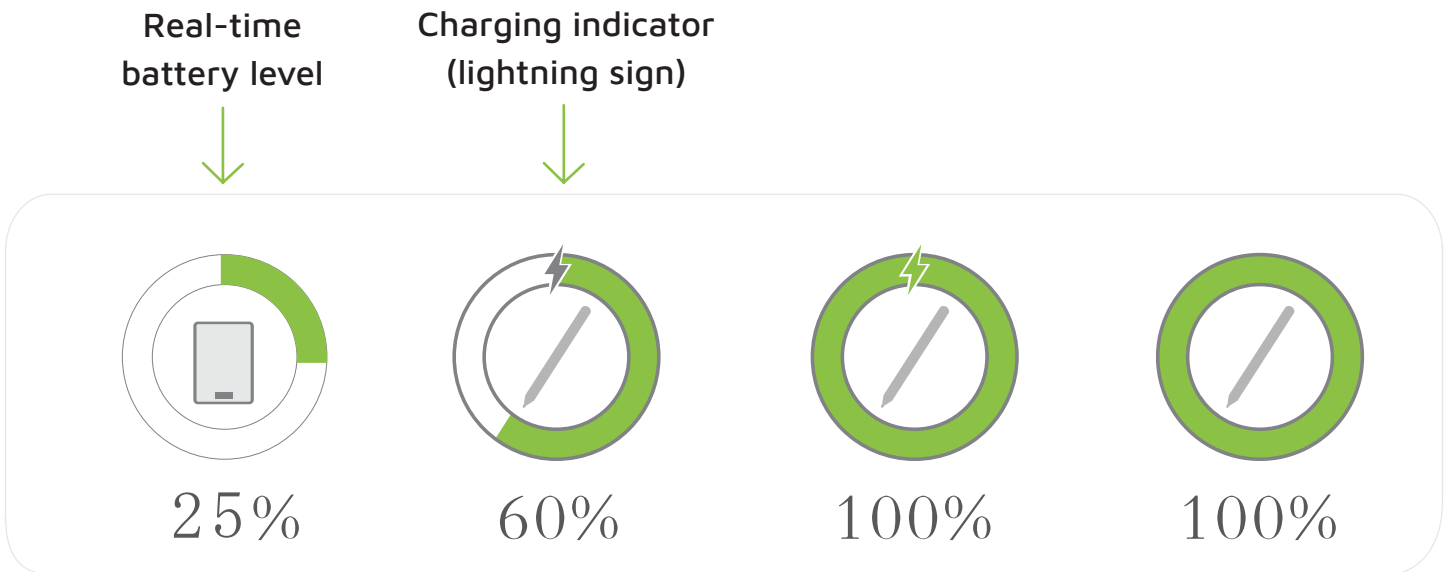
1. Activate the stylus by attaching it to the iPad, which will initiate wireless charging.
2. Once attached, the stylus will automatically transition to standby mode if it remains stationary for 5 minutes and will proceed to sleep mode after 30 minutes of inactivity.
3. The Bluetooth connection will automatically disconnect once the stylus enters sleep mode.
4. To reactivate, reattach the stylus to the iPad using the magnetic attachment, then detach it to enter writing mode, which should occur within approximately 2 seconds.

**Note:** For optimal performance, it is advisable to restart the iPad when utilizing the stylus for the first time.



## B. Battery Level Indicator

After establishing a Bluetooth connection, you can monitor the real-time battery level of the pencil on your iPad. During charging, the pencil displays a lightning bolt icon on the iPad.



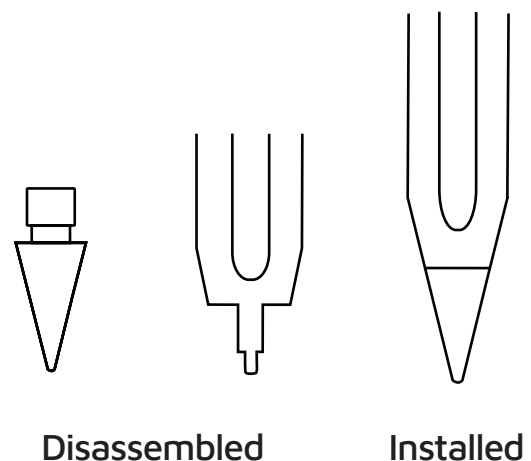
## Bluetooth Connection

1. Activate the Bluetooth connection on your iPad.
2. Ensure that the Stylus Pen is fully charged.
3. Search for and select the device named "SkyStick" from the list of available Bluetooth devices.
4. The pen is now connected to the iPad and is ready for use.

**Note:** If the iPad is not used for 5 minutes after connection, it will enter standby mode and will switch to sleep mode if inactive for 30 minutes.

## Changing the Nib

The stylus features replaceable nibs, eliminating concerns about pen tip wear; simply rotate the nib to replace it.

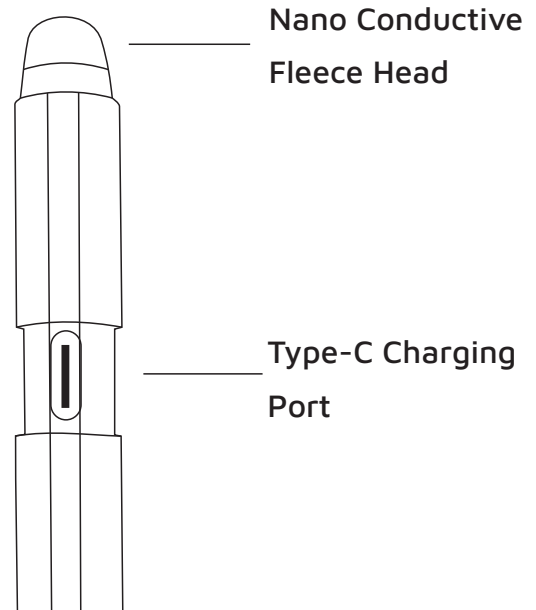


- Two Extra Nibs

Includes two additional replacement nibs, allowing for easy maintenance and extended use of the stylus.

## Multi-functional Button

The stylus pen is equipped with a multi-functional button on its top, which is covered with a soft Nano material, enabling seamless operation across a wide array of capacitive touchscreen devices including mobile phones, tablets, iPads, learning devices, industrial systems, and teller machines.



## Compatibility

This specialized pen tip is compatible with the following iPad models:

**1.** iPad Pro 13" /12.9" and 11" (7th to 3rd generations).

**Note:** Does not support iPad Pro 2024 Wireless charging.

**2.** iPad Air 13" and 11" / 10.9" (6th to 4th generations).

**3.** iPad Mini (6th to 4th generations).

**4.** Universal Mobile Phones and Tablets.

Please verify your iPad model by checking the information on the back of the device. This product is designed for the models listed above. If your iPad model is not mentioned, please check out the "Levelo Skywrite Stylus Pen For iPad".

## Specifications

|                        |  |
|------------------------|--|
| <b>Product Name</b>    | <b>Levelo Skystick Universal &amp; iPad Stylus Pen</b> |
| <b>SKU</b>             | <b>LVLSUSPWH</b>                                       |
| <b>Charging Method</b> | <b>Type-C and Wireless</b>                             |
| <b>Charging Time</b>   | <b>Less than 1 hour</b>                                |
| <b>Working Time</b>    | <b>8h</b>  |
| <b>Bluetooth Name</b>  | <b>SkyStick</b>  |
| <b>Battery</b>         | <b>90mAh Li-ion</b>                                    |
| <b>Standby Mode</b>    | <b>Activated after 5min</b>                            |
| <b>Sleep Mode</b>      | <b>Activated after 30min</b>                           |
| <b>Standby Time</b>    | <b>Up To 6 Months of Full Charge</b>                   |
| <b>Product Size</b>    | <b>170×9mm</b>   |
| <b>NW</b>              | <b>14G</b>   |
| <b>Material</b>        | <b>Aluminum Alloy</b>                                  |

## **Warranty**

Products procured directly from the **Levelo** website or physical store comes with a 24-month warranty. **Levelo** products purchased from any of our authorized dealers are guaranteed with a one-year warranty. If you wish to extend this warranty, you'll need to go to our website at **<https://levelobrand.com/warranty>** and fill out the necessary form, making sure to include your personal information and a photo of the product. After your request has been evaluated and accepted, we'll send you an email notification to affirm the extension of your product's warranty.

For more info, please check:

**Website:** **<https://www.levelobrand.com/warranty>**

## **Contact Us**

If you have any questions about this Privacy Policy, please contact us at: **[Info@levelobrand.com](mailto:Info@levelobrand.com)**

**Website:** **<https://www.levelobrand.com/>**

**Email:** **[Info@levelobrand.com](mailto:Info@levelobrand.com)**

**Instagram:** **levelobrand**

**Facebook:** **levelobrand**