

LEVELO



LAVAUX

WIRELESS AUTOMATIC ACRYLIC  
COIL CAR CHARGER

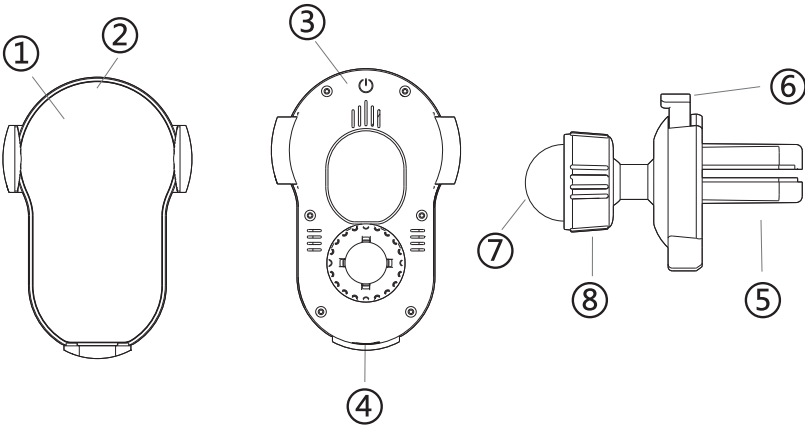
MODEL : LVLLWCBK

# Smart Wireless Charging Car Mount User Manual

## Product description

Thank you for purchasing our products. This product is a smart wireless charger car phone holder that allows you to easily experience the wireless fun of smart digital products. Please read this manual carefully before using this product and keep it for your future reference

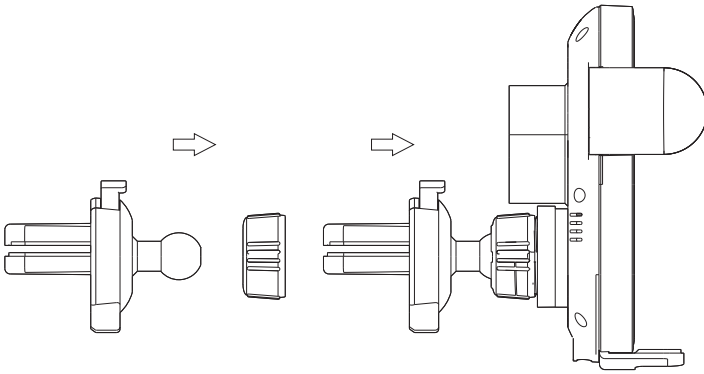
## Product details picture



- 1. Wireless charging sensing center area
- 2. Work indicator light
- 3. Touch button
- 4. Type-C interface
- 5. Air conditioning clip
- 6. Air clip fixed switch
- 7. Multi-angle rotating ball
- 8. Multi-angle rotating ball fixing nut

## Installation steps:

- 1.First,Put the nut on the air vent swivel ball;
- 2.Press the universal rotating ball head and nut into the support;
- 3.Finally tighten the nut as required;



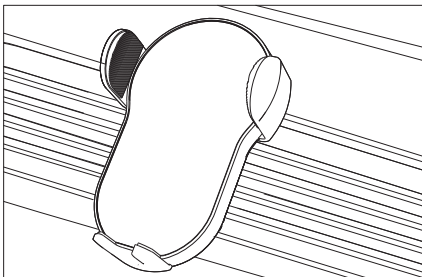
## Specifications

- Input:5V;9V;12V/2A(MAX)  
Power:5W,7.5W,10W,15W  
Receiving distance:<6mm  
Size:100\*67\*54mm  
Weight:≈116g(including clips≈130g)

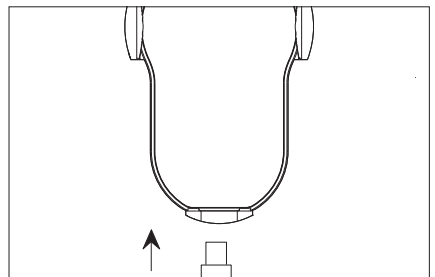
## Installation Steps

### Air Outlet clip Assembly Method

- 1.Press the clip switch,Insert the air outlet clip into the bottom blade of the air conditioner outlet



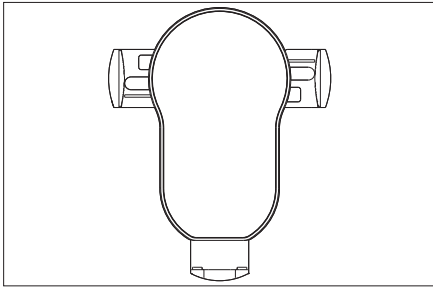
- 2.Adjust the appropriated angle and insert the Type-c data cable into the wireless charger Type-c interface, The left and right arms will open automatically



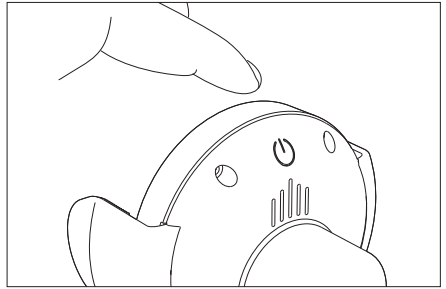
## Automatic touch arm, No manual break

3. Put the phone on the wireless charger, after the coil is sensed, the left and right arms automatically close and lock the phone

4. When you need to take the handset, touch the touch button on the top of the vehicle bracket with any finger, and the left and right clamping arms will open automatically.



arm will open automatically



## Precautions

- Keep out of reach of children.
- Do not use in damp environment.
- Please do not dismantle the product without permission.
- Avoid to use the way in whack, bump, impact.
- Do not repair this product if you are not a professional.
- This product is a motor gear engagement product, please do not use external force to move the left and right clamping arms.
- Please use the QC2.0/QC3.0 adapter to charging the product.
- The product with button cell, after charging the product for five minutes, the clip arm can be opened by touching the button even if the charging stops.
- The back of the phone cannot be equipped with ring holder (socket), and other items beyond the range of the phone's wireless charging reception. Otherwise, the charging power will be affected.

M  
LEVELO

 [www.levelobrand.com](http://www.levelobrand.com)

 levelobrand

Made in China

