



LEVELD



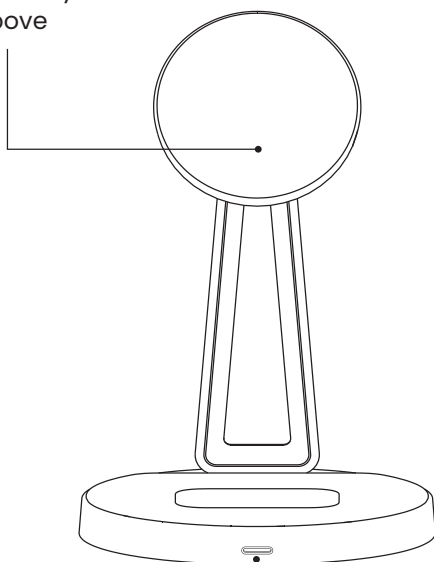
# DUALFLOW

2 IN 1 MAGNETIC WIRELESS CHARGING STAND

LVLDF21WCBK

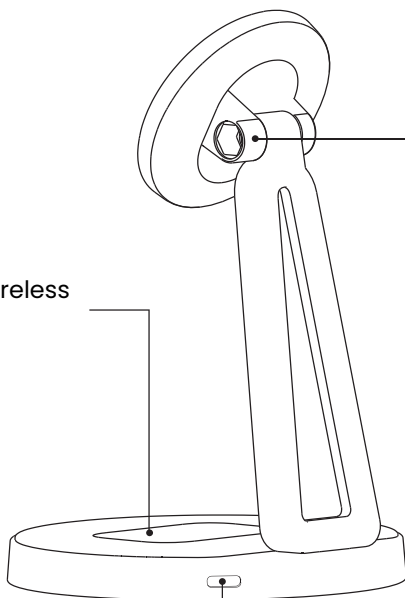
# Description

Magsafe Compatibility:  
iPhone 12 and above



Light Indicator

Phone / earphone wireless  
charging area



Rotation axis

Type-C Interface

## Product Features

1. Compatible with Magsafe iPhone 12 and above , Qi standard, mobile phone wireless charging, earphone wireless charging.
  2. Supports 15W Magsafe charging and Qi wireless charging for smart-phone; 3W wireless charging for earbuds.
  3. Fabric wrapping and silicone base for stable and anti-slip design.
  4. Strong magnet to keep the phone steady.
  5. 30° angle adjustment for flexible and comfortable experience.
  6. Multi-angle rotation axis it allows you to adjust and position the object or device at various angles, providing greater flexibility and convenience in its use.
- ( It is recommended to use PD20W and above adapters.)

## Parameters

Input : 9V/2A, 12V/3A

### **Magsafe Charging**

Magnetic wireless charging output power: 5W/7.5W/10W/15W

Airpods wireless charging output: 3W

### **Qi Wireless Charging**

Wireless charging output power: 5W/7.5W/10W/15W

Earphone wireless charging output: 3W

## Operation Steps

1. Connect product to adapter, blue indicator light keeps on.
2. Place your device in the correct charging area to charge. Please select a suitable adapter to charge your multiple devices full stop, the device may not be able to enter the fast charging mode or charging may be unstable due to insufficient adapter power. It is recommended to use PD 20W or above adapter when using this product for full load charging
3. The indicator light is red when the magnetic position is in charging state, and the indicator light is red when the desktop position is in charging state
4. FOD detection: when there are metal or magnetic objects placed on the wireless charger, the green indicator will flash. (Note: the indicator light is still blue when the mobile phone's magnetic position in the FOD state.)
5. If your phone does not charge properly, please move your phone slightly to find the best charging position for the wireless charging.

## Cautions

- Recommended to use the product at (-10°C to 45°C) Temperature .
- Do not disassemble charger without authorization
- Please do not put the metal or magnetic goods (such as coin, bank card, key etc) on the charging area while charging
- Please keep the charger away from water or other liquid
- Avoid full-load of work on the product, so it does not affect charging efficiency of the product.



## **COMPATIBLE WITH MULTIPLE DEVICES**

COMPATIBLE WITH IPHONE, AIRPODS, WIRELESS  
EARBUDS, AND QI COMPATIBLE DEVICES.



 [www.levelobrand.com](http://www.levelobrand.com)

 levelobrand

Made in China

