

M LEVEL O



Levelo

**MAGLIGHT 8000mAh Portable
Power Bank**

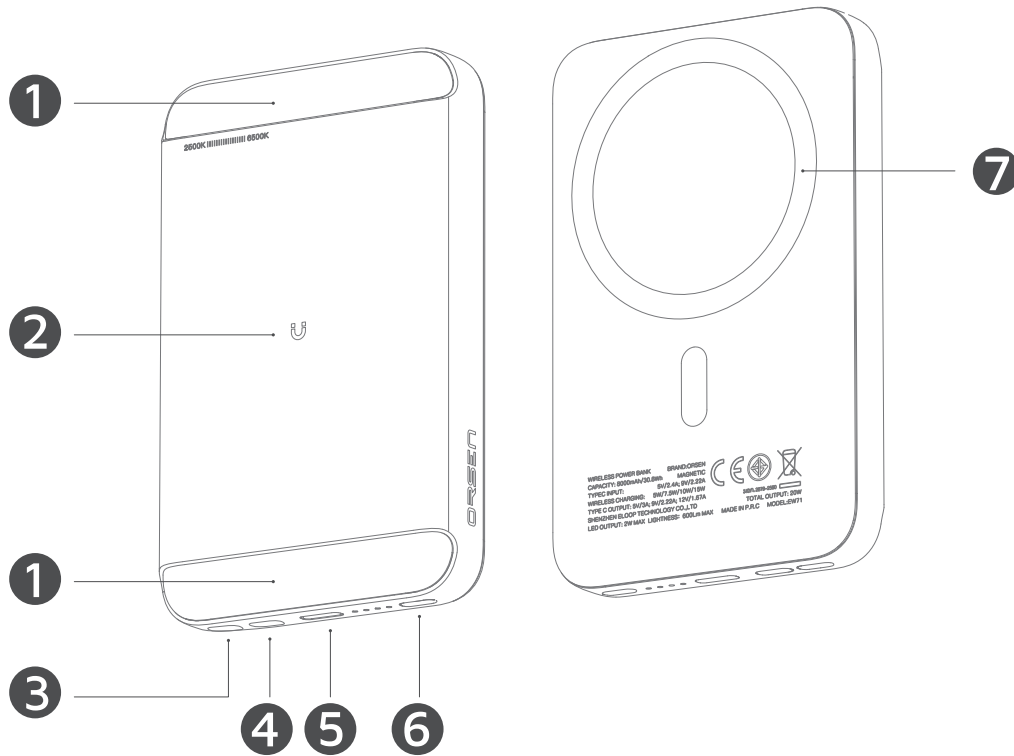
SKU: LVL-MAGLPB



Table of Contents

Schematic View	2
Specifications	2
Package Contents	3
Button Guide	3
Indicator Light Guide	3
Charging Method	4
Using the Lighting	4
Safety Warning	4
Warranty	6
Contact Us	6

Schematic View



1. Lighting Area

2. Magnetic Charge Area

3. Lighting Mode Button

4. Lighting Level Adjustment

5. Type-C Input/Output

6. Power Button

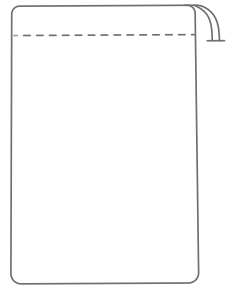
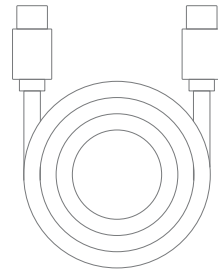
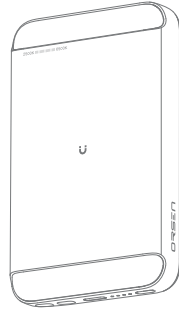
7. Magnetic Charging Area

Specifications

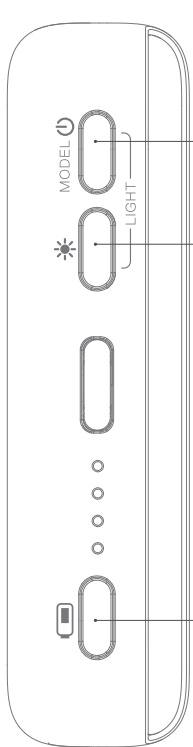
Capacity	8000mAh
Total Output	20W
Type-C Input	5V/2.4A, 9V/2.22A
Type-C Output	5V/3A, 9V2.22A,12V1.67A
Wireless Charging	5W/7.5W/10W/15W
LED Output	2W Max
Lightness	600Lm Max
Size	16.8×66×106mm
Weight	162g
Color Temperature	Cool Light/Cool Warm Light/Warm Light

Package Contents

1. Portable Power Bank
2. Charging Cable
3. Pouch



Button Guide



Long press (3 seconds): Turn light on/off

Short press: Switch between different lighting modes



Press and hold: Maximum brightness

Double-press: Reset to the lowest brightness level

Short press: Cycle through brightness levels



Battery display toggle: Switch the battery indicator on/off

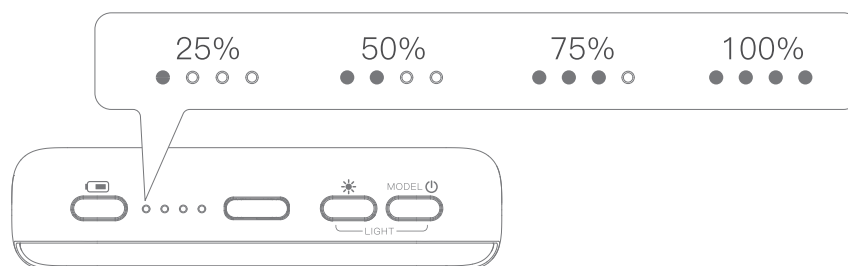
Indicator Light Guide

Four lights illuminated: Fully charged (100%)

Three lights illuminated: 75% charged

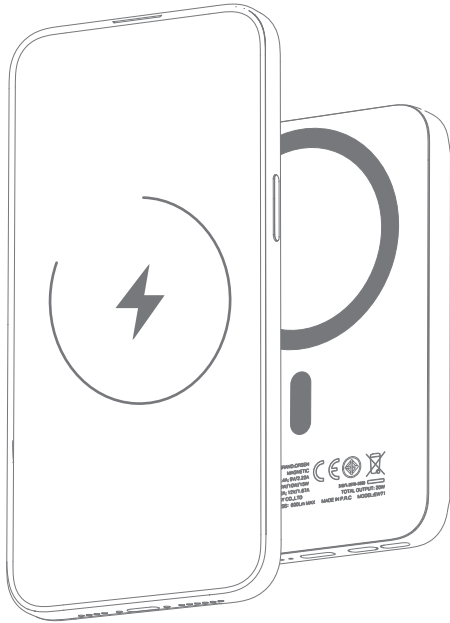
Two lights illuminated: 50% charged

One light illuminated: 25% charged



Charging Method

Wireless



Wired

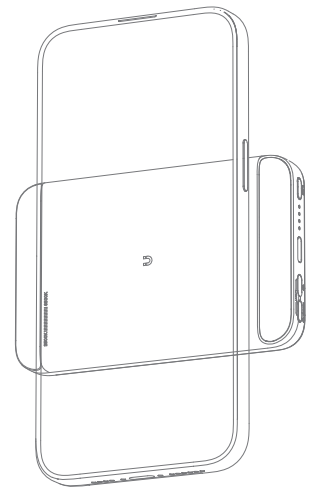


Using the Lighting

Front Camera Fill Light: Enhances lighting for front camera shots

Rear Camera Fill Light: Provides additional lighting for rear camera photography

Magnetic attachment: Easily attaches to your phone, allowing convenient lighting for photography



Safety Warning

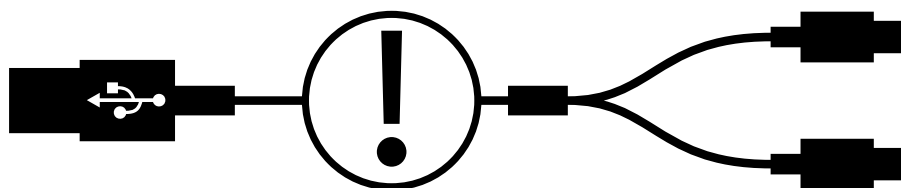
Improper use may result in battery malfunction, excessive heating, or even fire and explosion. To ensure safety, please follow these guidelines:

- 1.** Do not expose the power bank to water. Do not wash the product.
- 2.** Keep away from children, infants, and pets. This product is not a toy and could lead to accidents.

3. Use a certified charger to avoid electric shock or battery damage.
4. Avoid impact or stress; d. Dropping or damaging the product may cause issues like short-circuiting. If this happens, stop use immediately and dispose of it properly.
5. Discontinue use if the product shows signs of bulging, leakage, or a significant decline in capacity, and dispose of it properly.
6. Avoid placing the product in pockets near underwear, airtight bags, beds, sofas, or other areas that may hinder heat dissipation during charging or discharging.
7. Ensure the product is not covered by clothing, pillows, bedding, or other objects while in use.
8. Do not stack this product with mobile phones or other devices to allow proper heat dissipation during extended charging.
9. Do not disassemble, crush, puncture, or short-circuit the product.
10. Never expose it to water, fire (including stoves or other heat sources), or temperatures above 50°C (122°F).
11. Avoid placing the product in an unattended car or any area exposed to direct sunlight during hot weather.
12. Do not open the product's casing as it contains lithium-ion batteries. Opening the casing may damage the core and pose potential hazards.

Warning

Avoid charging two or three devices simultaneously with a 2-in-1 or 3-in-1 cable to prevent potential damage to the devices.



Warranty

Products procured directly from the **Levelo** website or physical store comes with a 24-month warranty. **Levelo** products purchased from any of our authorized dealers are guaranteed with a one-year warranty. If you wish to extend this warranty, you'll need to go to our website at **<https://levelobrand.com/warranty>** and fill out the necessary form, making sure to include your personal information and a photo of the product. After your request has been evaluated and accepted, we'll send you an email notification to affirm the extension of your product's warranty.

For more info, please check:

Website: **<https://www.levelobrand.com/warranty>**

Contact Us

If you have any questions about this Privacy Policy, please contact us at: **Info@levelobrand.com**

Website: **<https://www.levelobrand.com/>**

Email: **Info@levelobrand.com**

Instagram: **[levelobrand](#)**

Facebook: **[levelobrand](#)**